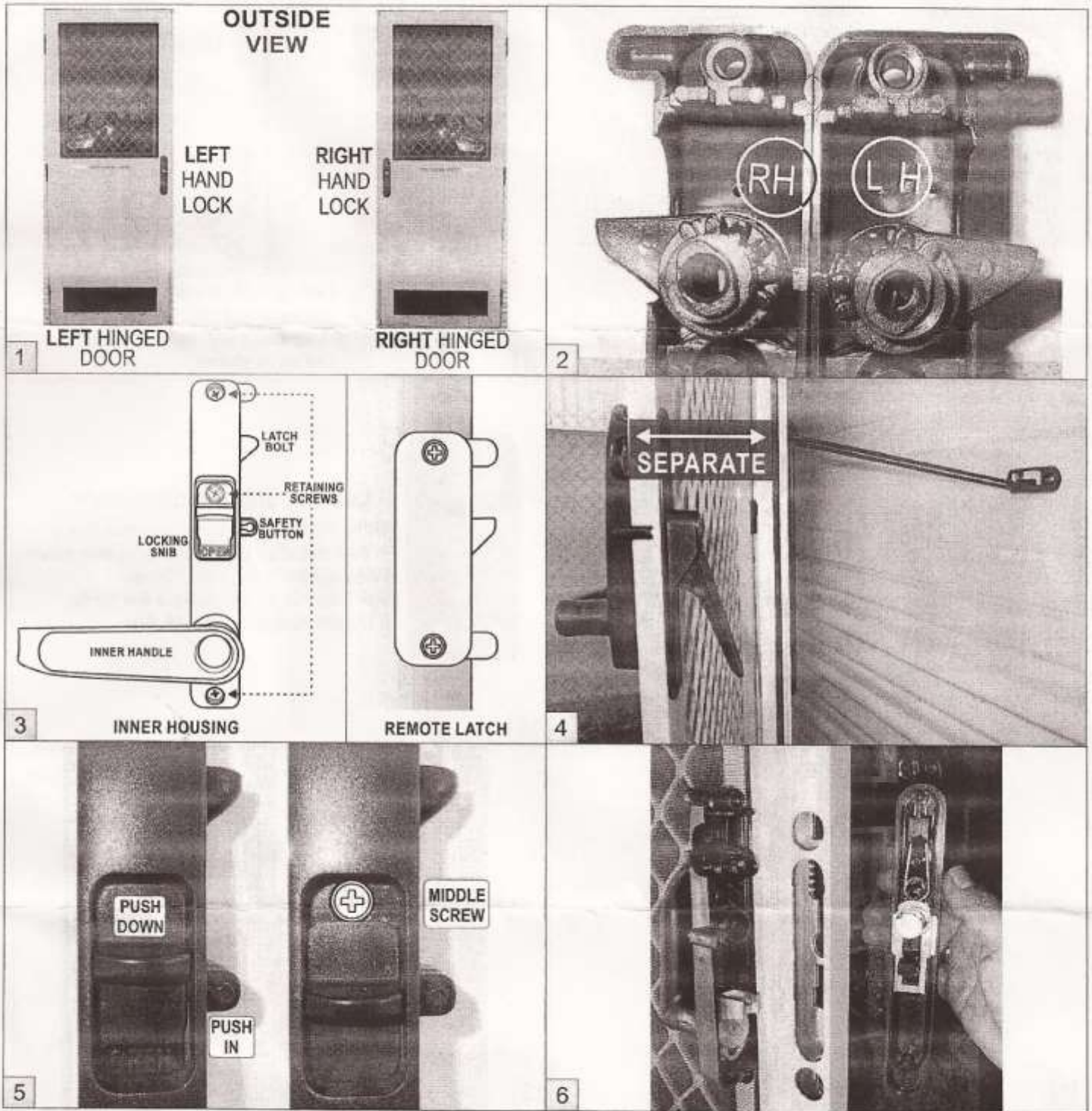


Before disassembling lock, please check the following:

1. Frame and doors to be parallel, straight with no bows. Clearance between Main door, Security door and Trim Frame should be even. This can be checked by running finger along the clearance between door and frame.
2. Determine if door is Left Hand Hinged or Right Hand Hinge. (Fig. 1). Ensure the lock is the correct one for the door. Inner Housings are marked R/H or L/H. (Fig. 2).
3. Leave remote latches in place so that rack will not fall down.



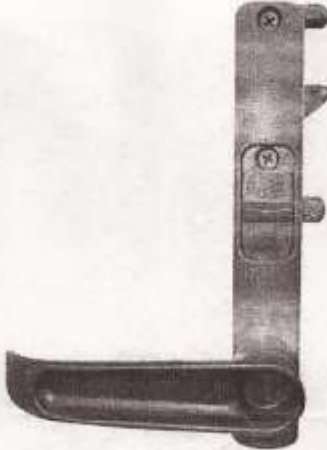
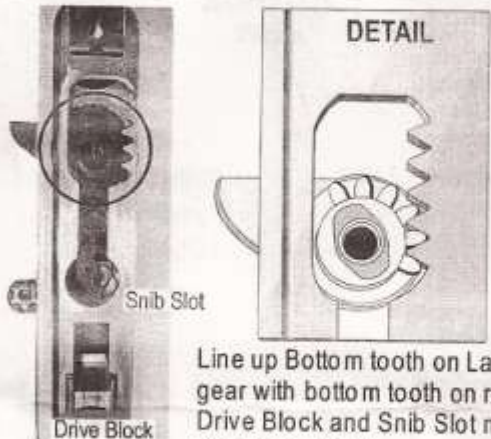
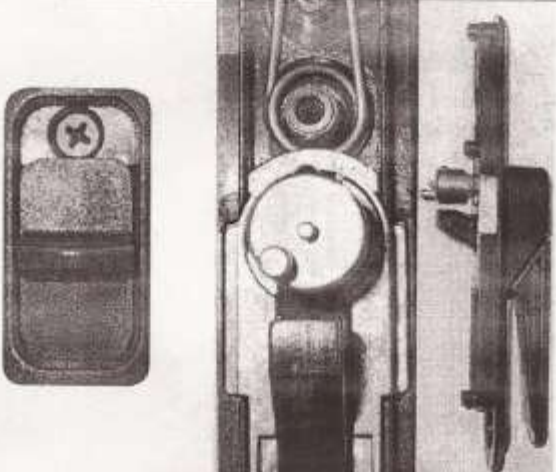

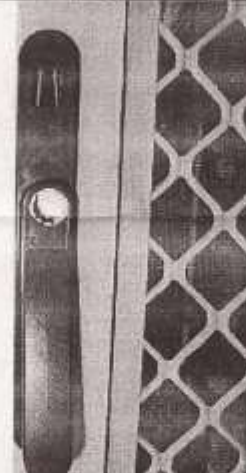
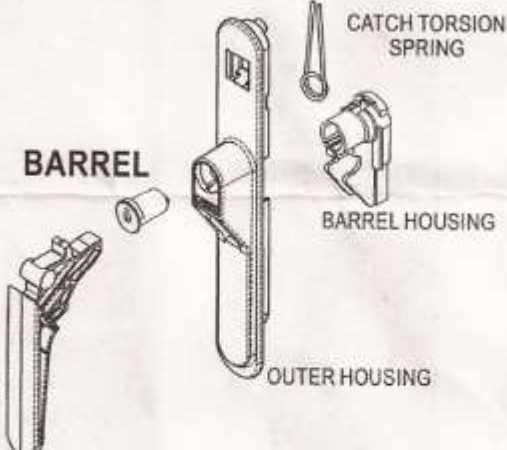
Removal

1. Identify if Left hinge or Right hinge door.
- 2/3. Identify parts of lock.
4. Separate Front door from Security door. Rest Wire Hook on Hook Catch. Remove 3 retaining screws. Middle screw is behind Locking Snib. (Fig. 5)
5. **Push in** Safety Button and **push down** Locking Snib to reveal screw. (Fig. 5). Middle screw can now be removed.
6. Remove Inner and Outer assemblies.

Installation

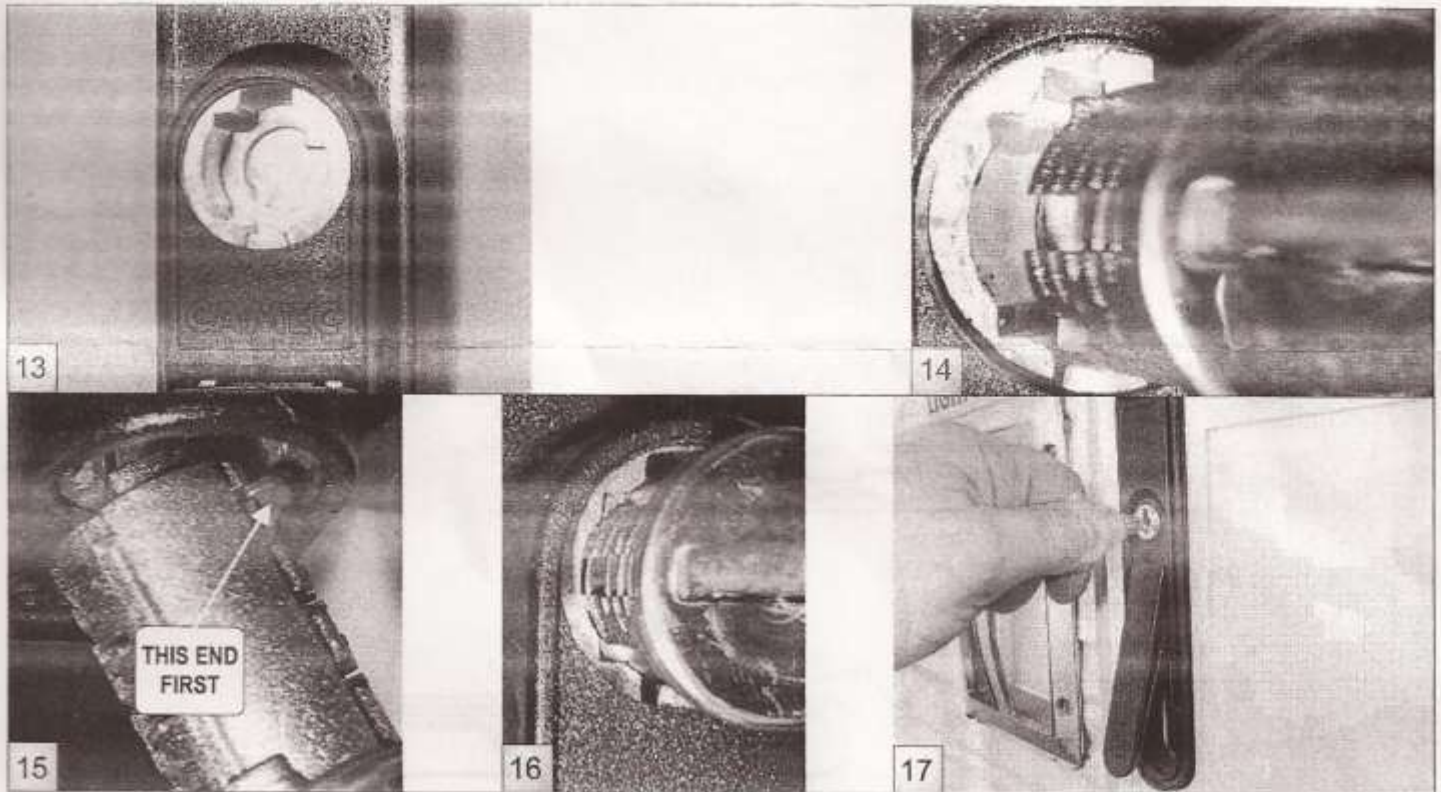
Take Care! Use new parts only. Do not mix any of the old parts with the new parts.

7. Insert Inner assembly making sure Latch Bolt gear fit into aluminium rack.
8. Detail - Latch Bolt fit into Aluminium Rack.
9. Make sure Safety Button is pushed in and Locking Snib is down on Inner assembly. Align and fit Outer assembly to Inner assembly, with top and bottom screws to 0.9 Nm.
10. Install middle screw. Do not overtighten.
11. Lock is now ready to accept key barrel.
12. Detail of key barrel and lock

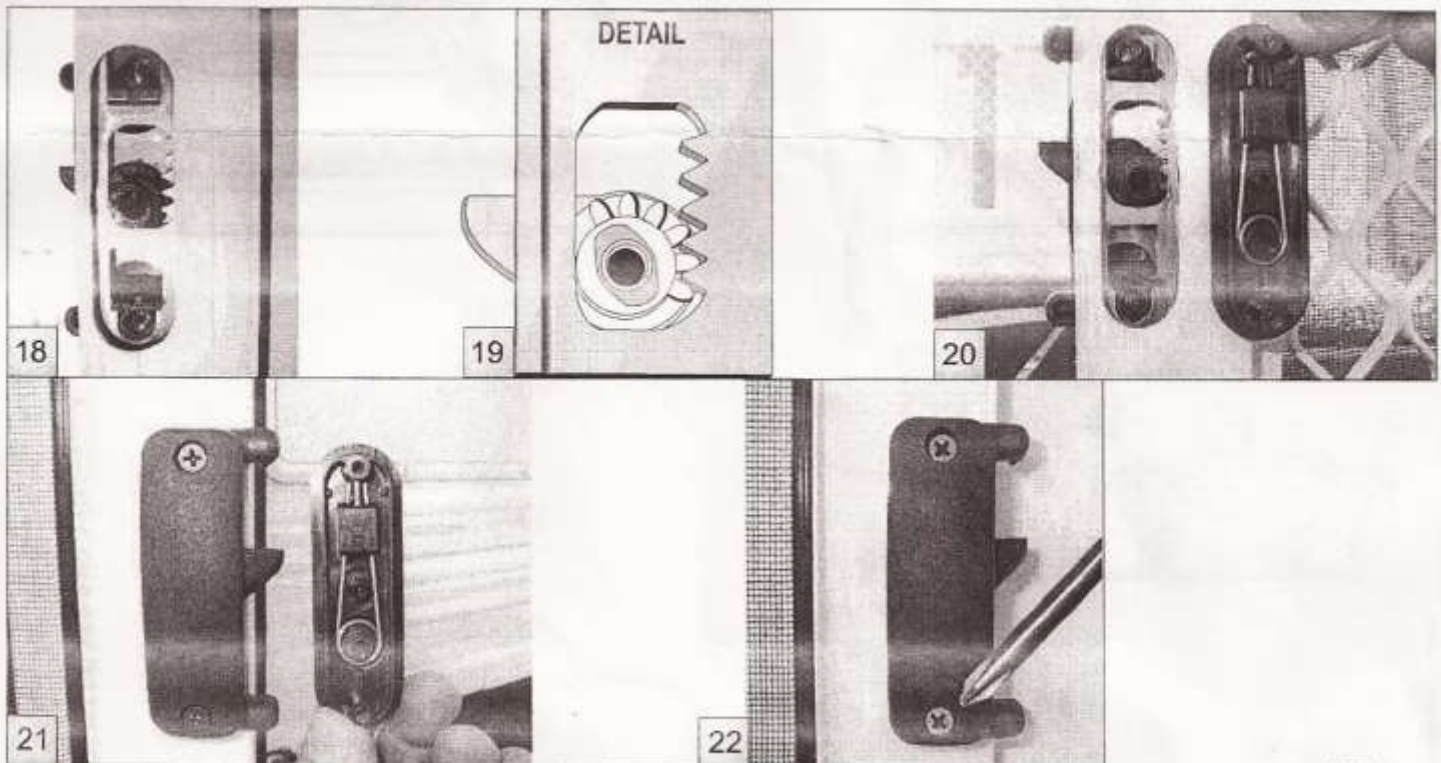
 <p>7</p>	 <p>8</p> <p>Line up Bottom tooth on Latch Bolt gear with bottom tooth on rack. Drive Block and Snib Slot must line up as shown.</p>
 <p>9</p>	 <p>10</p> <p>Locking Snib - Middle screw Make sure Locking Snib can move freely in both directions. Do not overtighten screw. Hand tighten using screwdriver. Move handle up and down a few times, if too stiff loosen screw 1/2 turn.</p>
 <p>11</p>	 <p>12</p>

Fitting Key Lock Barrel

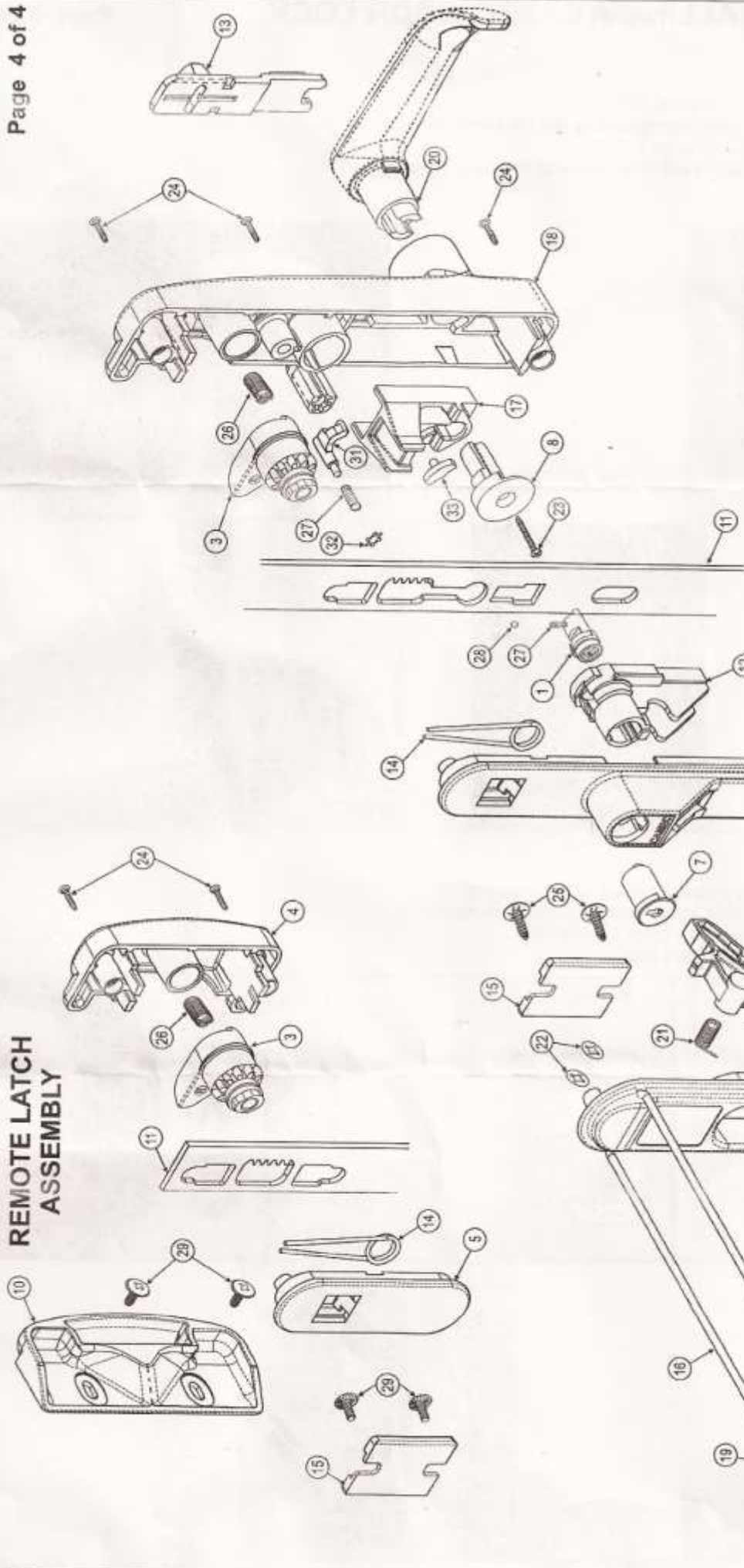
13. Locate key barrel recess in Outer housing assembly.
14. Align locating notches on barrel with corresponding slots in barrel recess.
15. Spring retainer on right side of barrel to go in first.
16. Slide key barrel in. Retainer on barrel will fit in recess at the back of the lock.
17. Check key operates correctly.

**Installing Remote Latches**

- 18/19 Fit Inside Remote Latch assembly gear into rack. See detail Fig. 19.
20. Fit Outside Remote Latch assembly taking care of correct orientation.
21. Fit 2 screws using Phillips screwdriver - hand tighten only.
22. Repeat procedure for the other Remote Latch.



REMOTE LATCH ASSEMBLY



RIGHT HAND HINGED LOCK ASSEMBLY

Item	Description	Item	Description
1	Adapter	18	Inner Housing
2	Outer Trim	19	Hook Catch
3	Latch Bolt	20	Inner Handle
4	Remote Latch Cover	21	Ext Handle Torsion Spring
5	Remote Latch Base	22	Push on Fix
6	Outer Handle	23	Plastic Screw
7	Barrel and Keys	24	Plastic Screw
8	Handle Spindle	25	Special Plastic Screw
9	Outer Housing	26	Latch Torsion Spring
10	Strike	27	Ball Spring
11	Rack	28	Ball
12	Barrel Housing	29	M4 Special Screw
13	Locking Snib	30	Safety Button
14	Catch Torsion Spring	31	Push on Fix
15	Catch Pin	32	Stop - Drive/lock
16	Wire Hook	33	
17	Drive Block	34	

